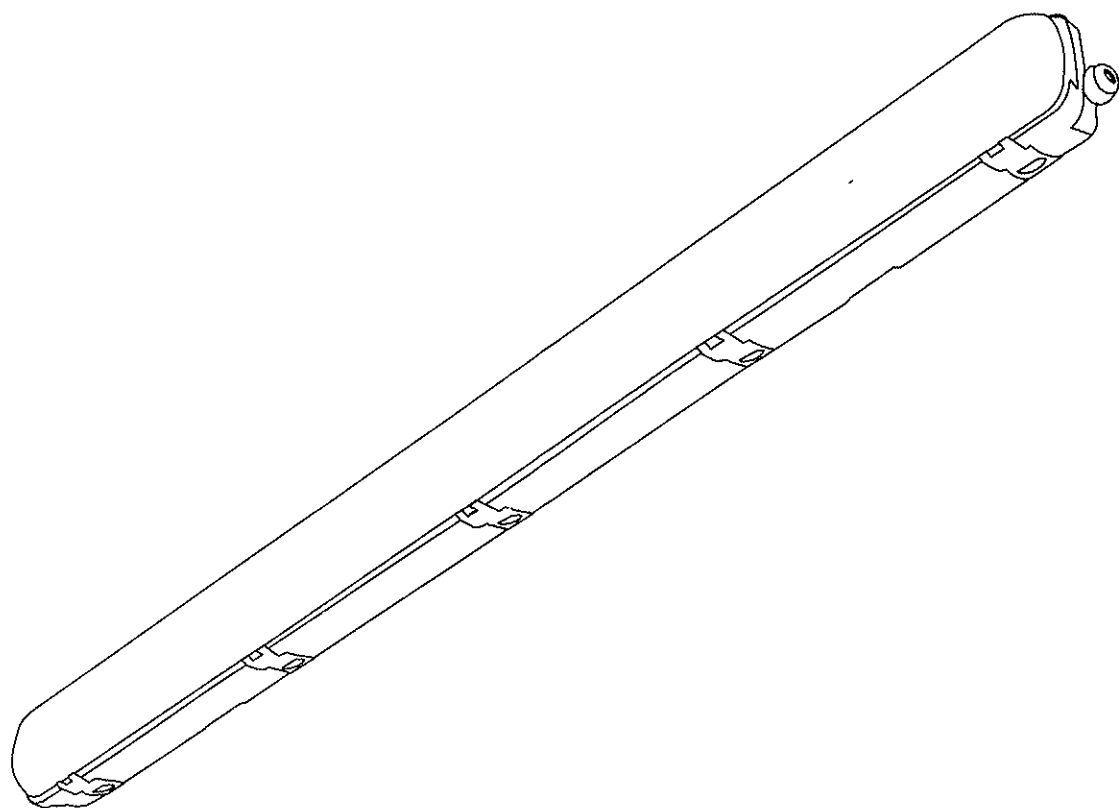


# REGULUS CEILING 24W IP65

## 106736

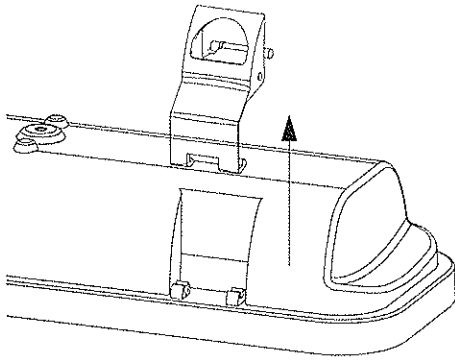


 MIPRO

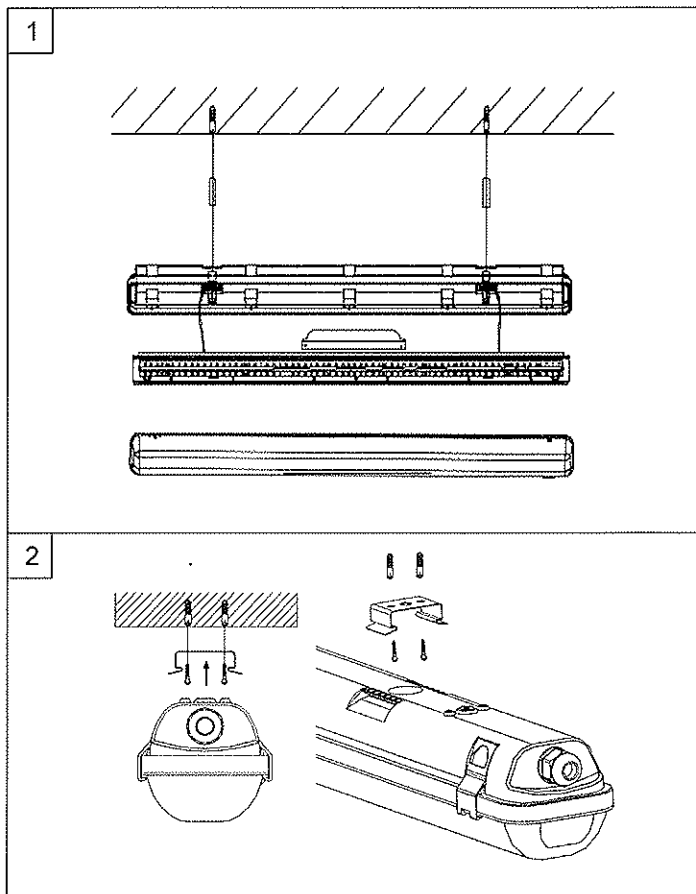
Made in China  
Markslöjd Intertrade AB  
Gränevägen 5 S-511 62 Skene Sweden  
[www.markslöjdpro.com](http://www.markslöjdpro.com)  
[info@markslöjdpro.com](mailto:info@markslöjdpro.com)

# Installation step:

(1) Open the clip

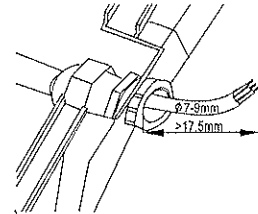


(2) Mounting method

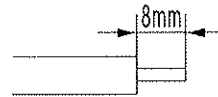


(3) Wiring Connection

1. the screw gland must be tightened after install the power cord the length of the main cable put into the lamp shade through the gland no less than 17.5cm.

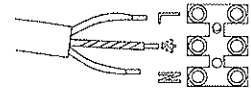


2. bare conductor length 8mm.



3. Connect supply lead with terminal: Brown (L) to (L); blue (N) to (N); and Green/Yellow ( $\oplus$ ) to ( $\oplus$ ).

Note: the Green/Yellow lead must be longer than brown and blue lead.



(4) Lock the clip

