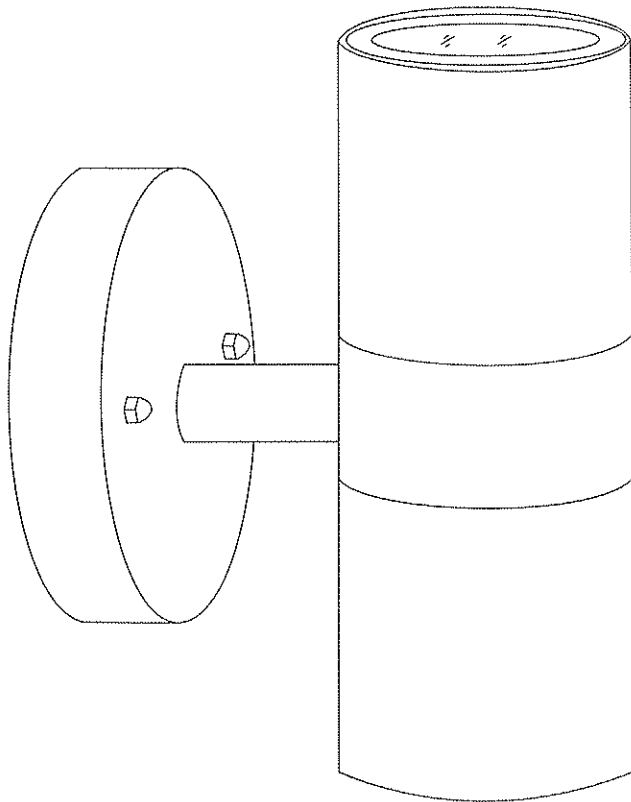


DAN

104778



Note: Since this is a hot galvanize item, there can be some rust in the treads. To in order to avoid this problem, please add oil or grease in the treads.

Markslöjd AB
Gränevägen 5 S-511 62 Skene
Sweden

www.markslojd.com



